

FEATURED MODEL

157-039-ST BLANCOAIRES™ Kitchen Faucet in Stainless (Satin Nickel)

ADDITIONAL MODELS

157-039-CR Polished Chrome

FEATURES

- Solid brass body
- Ceramic disc cartridge
- Reversible mounting hardware adapts to thick or thin mounting surfaces
- 2.2 G.P.M. flow rate
- Installation in a 1-3/8" hole
- Double spiral flexible pull-out spray hose

CODE/STANDARDS COMPLIANCE

ASME A112.18.1-2005
IAPMO Listed

WARRANTY

Blanco America's Kitchen faucets feature a "NO HASSLE" LIMITED LIFETIME WARRANTY to be free of all manufacturing defects under normal use. See our complete warranty for details.

While Blanco America endeavors to provide accurate information, all dimensions are nominal, cannot be guaranteed, and are subject to change or cancellation. Blanco America assumes no responsibility for use of superseded or voided specifications.

PRODUCT SPECIFICATION

Kitchen faucet to include solid brass body, loop handle and pull-out spray. Faucet dimensions to be as follows: Reach: 8-1/2"; Spout Height: 5-1/2". Reversible mounting hardware to adapt to thick or thin mounting surfaces. Kitchen faucet to be BLANCOAIRES™ Model 157-039 in _____ finish.

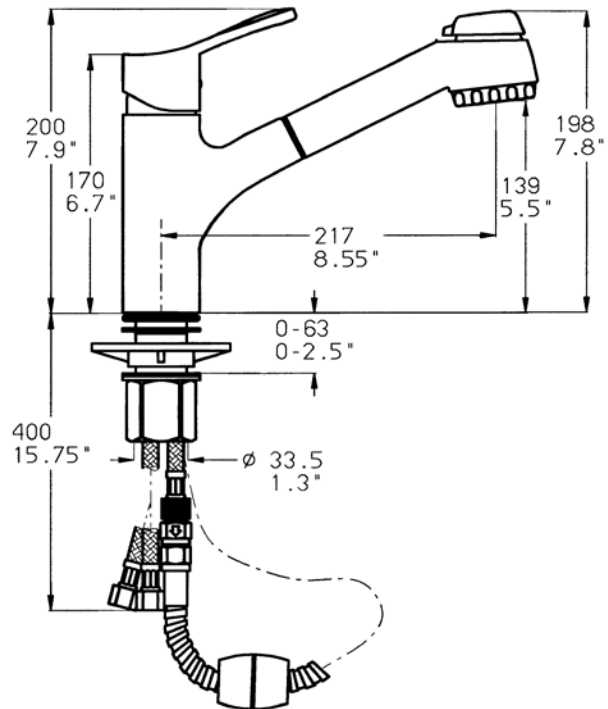
- Polished Chrome 157-039-CR
- Stainless (Satin Nickel) 157-039-ST



MODEL 157-039

NOMINAL DIMENSIONS

MODEL	REACH	SPOUT HEIGHT	FAUCET HEIGHT
157-039	8-1/2	5-1/2	8



See next page for exploded parts drawing and parts list.

JOB INFORMATION

Job Name: _____

Contact: _____

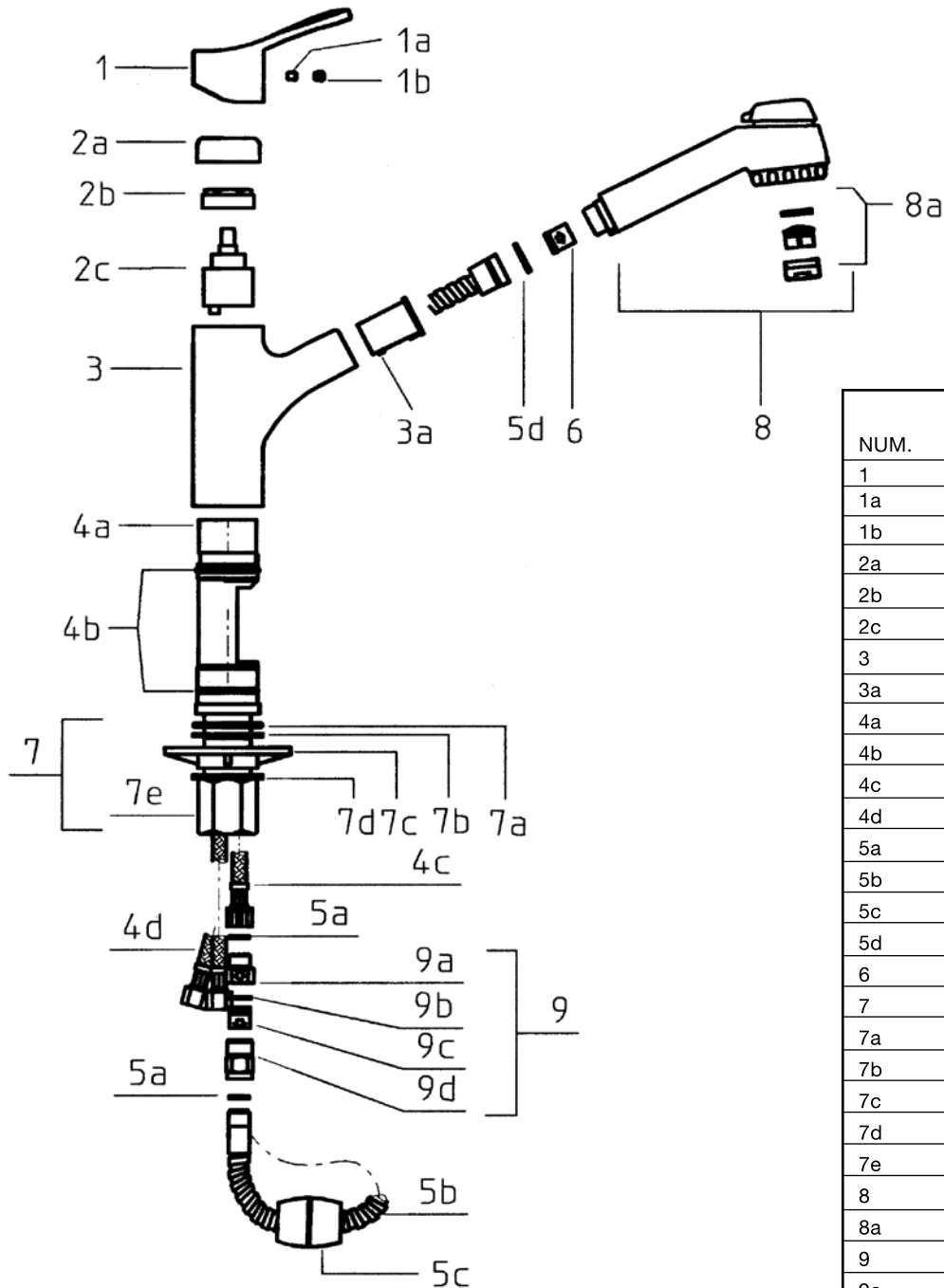
Date Specified: _____

Specifier: _____

Contractor: _____

BLANCO AMERICA
800.451.5782
www.blancoamerica.com

BLANCOAIRES™ MODEL 157-039



NUM.	DOC. PART #
1	1665
1a	2058
1b	1270
2a	1662
2b	3469
2c	3909
3	1661
3a	2866
4a	1664
4b	2.62 x 37.74
4c	2360
4d	2350
5a	13.7 x 10 x 1.5
5b	2266
5c	2582
5d	20 x 12 x 2.5
6	2430
7	1-2359
7a	41 x 34 x 1.5
7b	48 x 34 x 2
7c	3109
7d	2258
7e	2359
8	1494
8a	1-680
9	1-3115
9a	3116
9b	16.5 x 12 x 1.5
9c	2419
9d	3115